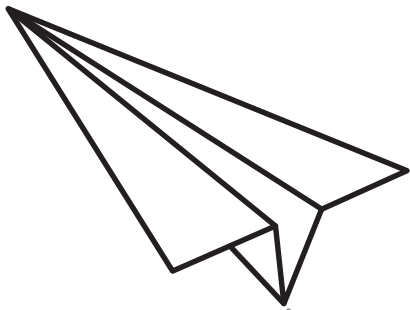


# Take-It-Home Flyers

ELEMENTARY • QUARTER 11





### Group resources really work!

This Group resource incorporates our R.E.A.L. approach to ministry. It reinforces a growing friendship with Jesus, encourages long-term learning, and results in life transformation, because it's:

**Relational**

Person-to-person interaction enhances spiritual growth and builds Christian friendships.

**Experiential**

What we experience through action and discussion sticks with us up to 9 times longer than what we simply hear or read.

**Applicable**

The aim of ministry is to equip people to be both hearers and doers of God's Word.

**Lifelong**

Experiences transform the heart, moving faith beyond the walls of church and into everyday life for years to come.



**Take-It-Home Flyers—Quarter 11**

Copyright © 2023 Group Publishing, Inc./000 0001 0362 4853

Visit our website: [group.com/SimplyLoved](http://group.com/SimplyLoved)



All rights reserved. You have Group's permission to photocopy individual pages in this resource for your own local church use. For additional uses, visit [group.com/permissions](http://group.com/permissions).

Scripture quotations are taken from the *Holy Bible*, New Living Translation, copyright ©1996, 2004, 2015 by Tyndale House Foundation. Used by permission of Tyndale House Publishers, Inc., Carol Stream, Illinois 60188. All rights reserved.

ISBN 978-1-4707-6980-2

Printed in the United States of America.

10 9 8 7 6 5 4 3 2 1 25 24 23

001 USA 1122



# Take-It-Home Flyer Tips


Follow these steps to get Take-It Home Flyers off the ground effectively so they'll cruise on a direct flight home.

1. Follow your Simply Loved Leader Guide. The end of each elementary lesson is strategically written to incorporate these flyers.
2. Read the first page to your whole group of kids first. This is meant to be a quiet prayer time that intentionally connects kids to their friend Jesus.
3. Next, ask the "Talk Starter" question aloud, and give time for kids to discuss and pray in Connect Crews.
4. THEN, *and only then*, distribute Take-It-Home Flyers to kids. If you choose to forgo this strategic order, prepare to have papers whizzing by your head before you're ready for them.
5. Be sure to point out the challenge on the top of the folding instructions page. That'll *really* motivate kids to make sure this page gets home.
6. Be sure to give each helper a copy, too—not to fold for themselves, but so kids can reference the instructions once folding begins.

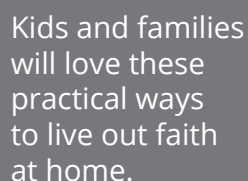
## Prepare for takeoff!

Help your ministry to families really take off with these specially crafted Take-It-Home Flyers. After reading each Jesus-centered flyer and talking with their Connect Crews, kids will follow the directions and fold these flyers into 3-D masterpieces!

Once home, they'll transport meaningful opportunities for Jesus-centered family fun.



**Cool questions help family members tell stories about their own friendship with Jesus!**



Kids and families will love these practical ways to live out faith at home.



After kids make Bible discoveries at church, families can explore more about each lesson's Bible content at home.

## Peter Preaches About Jesus

(Acts 4:1-31)

**“For we are God’s masterpiece. He has created us anew in Christ Jesus, so we can do the good things he planned for us long ago.”**

(Ephesians 2:10)

## Be bold! Jesus gives us special work to do.

Jesus healed people, but he didn’t announce he was a doctor. He taught, but “teacher” wasn’t on his business card.

Jesus could do so many things, but there was one special job only he could do: Save the world from sin.

You have special work to do, too, and you’re uniquely wired for it. Nobody else has your special combination of talents, skills, and quirks.

You’re one of a kind, specially designed to do...what?

Ah, that’s between you and Jesus. There’s a bunch of stuff every Jesus-follower does (pray, tell about Jesus, be kind), but there’s also that one *special* thing we all can do—love God and love people.

So be bold! And be ready to share God’s love today.

### Talk-Starters

**Tell about a time you had to talk in front of people. Did you feel bold?**

### Try-This-@-Home

Practice a little boldness by telling someone you live with what you discovered today about being bold for Jesus.



### Explore More @ Home

Find out why you can be bold. Read Ephesians 3:12 and Hebrews 4:14-16.



# Make this page fly home!

Fold a flyer. When you get home



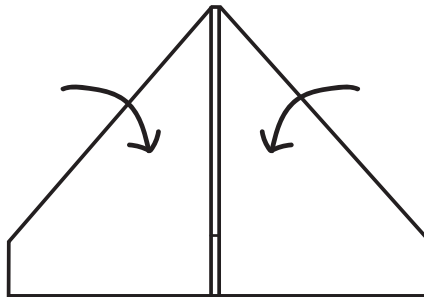
...boldly fly it where no flyer has gone before—aim for your open sock drawer!

## Here's how:

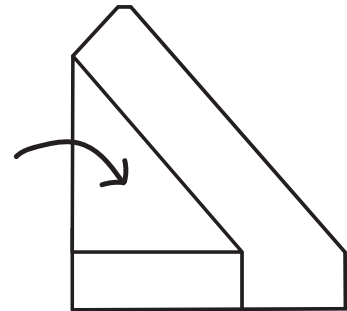
- 1** Fold the paper in half as shown.



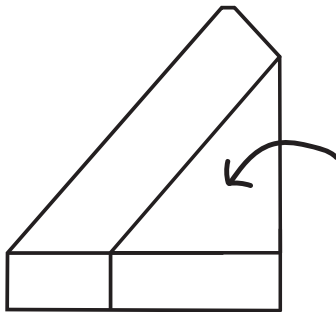
- 2** Fold in the top corners to the center to make flaps.



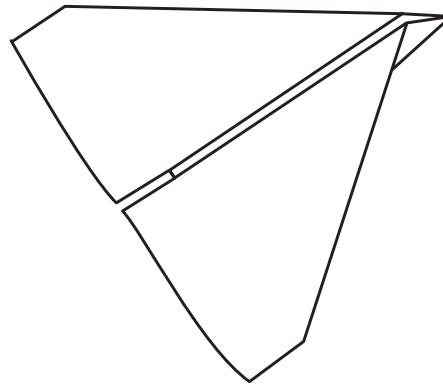
- 3** Flip over, then fold in one side about an inch from the center.



- 4** Unfold, then fold the other side about an inch from the center.

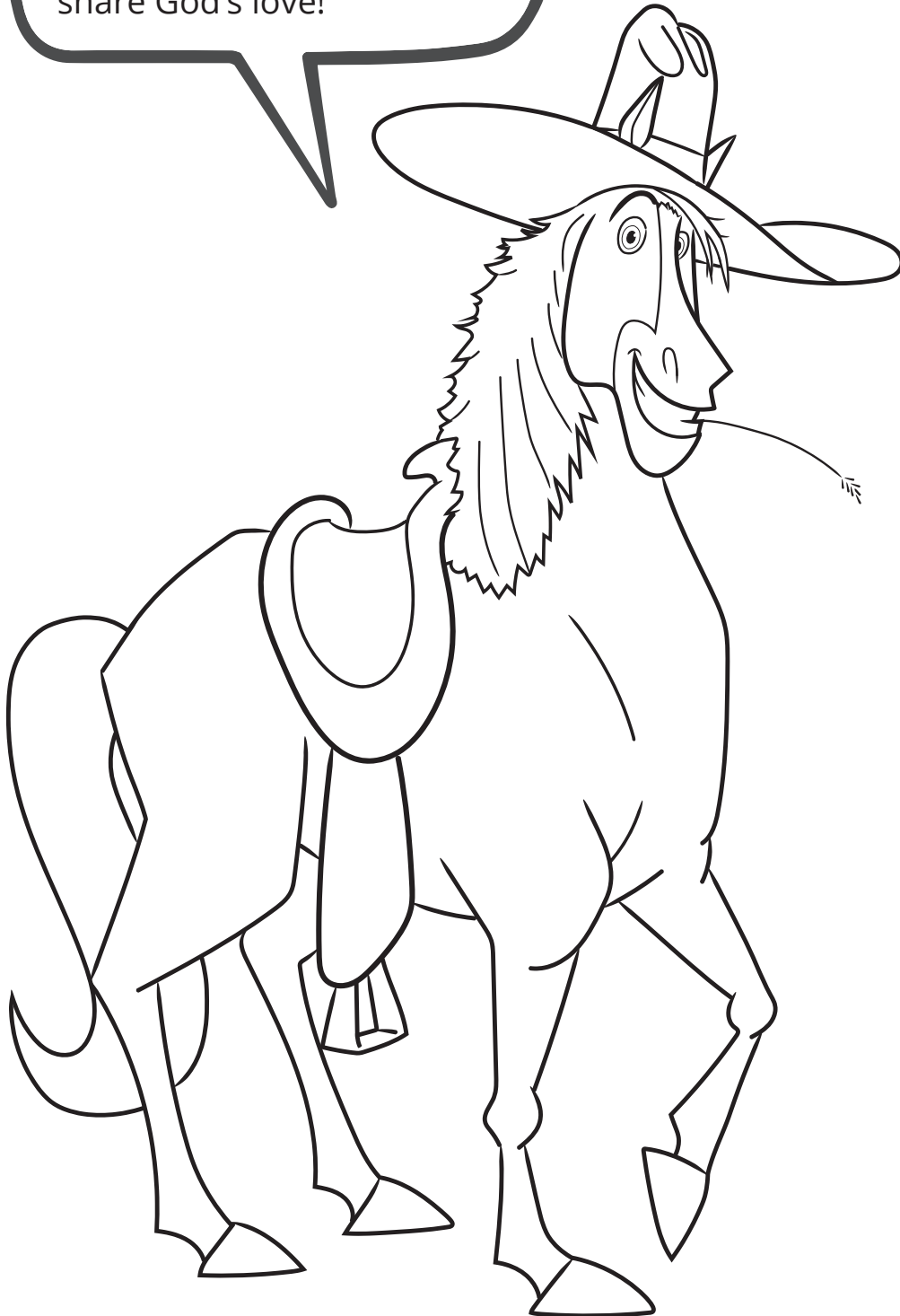


- 5** Flip over again, hold on to the center fold, and let 'er sail!

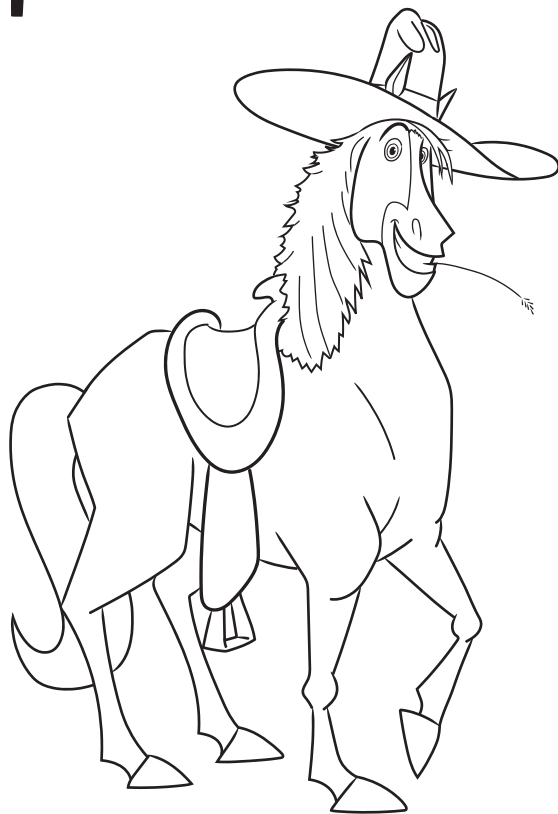


**You're simply loved...**

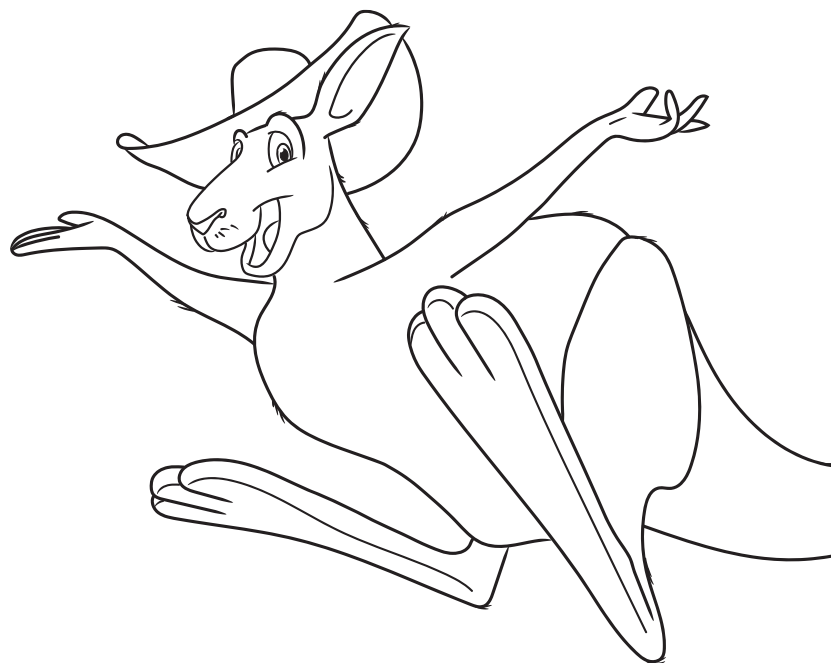
and so are your friends!  
Customize these cool Bible  
Memory Buddy cards to  
share with friends or family  
members. It's a great way to  
share God's love!



**Jesus gives us  
special work to do.**



**God is kind.**







**THIS IS A SAMPLE**  
**The number of pages is limited.**

Purchase the item for the complete version.

